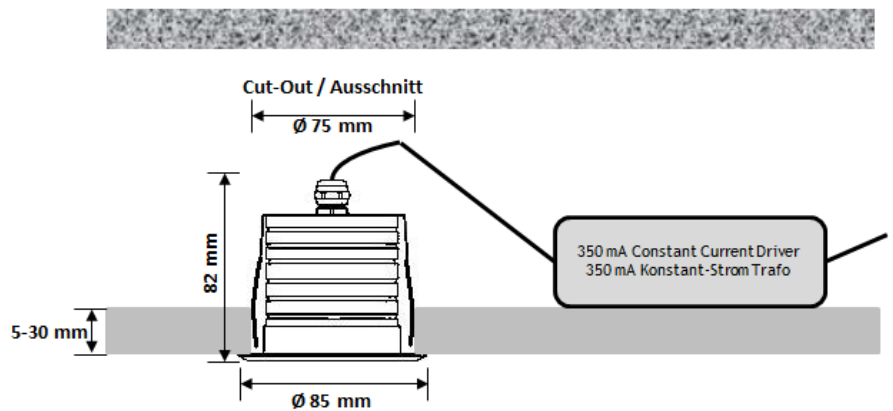


Synergy Gen³LED Round Alume, IP65 Recessed Uplight / Downlight

Order Code: 806093122 (ER2010.93)



Features

Uplight / Downlight with LED lamp, complete with SELV driver to suit, pre wired and ready to install:

- Simple fixing
- Energy saving
- Low operating temperature
- Long lifetime LED
- Full intensity from switch on
- Driver with S.E.L.V. output
- Safety Class III luminaire
- Protection Class IP65
- IBL 3 Year warranty on fittings and drivers

Technical data

Dimensions: Diameter: Ø 85 mm
Height: 82 mm

Cut-out: Ø 75 mm
Installation Depth: 100 mm
min. ceiling thickness: 5 mm
max. ceiling thickness: 30 mm

Weight: ca. 0,5 kg incl. driver

Material: die-cast aluminium

Ambient Temperature: -25 - 45°C

Max. Surface Temperature: 65°C

Colours: Brushed Alume

Manufactured to



Electrical specification

LED DRIVER:

Type: constant current
Input voltage: 100/240Vac 50/60Hz
Input current: max. 0,15A
cos phi: >0,5

Output current: 350 mA constant
Output voltage: max. 43 Vdc

Electrical safety: Class II
Output isolation: S.E.L.V.

Protection Class: IP54

Secondary connection: Prewired, ready to install

LUMINAIRE:

Power: 3,5W_(nom.) @ 350 mA
Electrical safety: Class III
Protection Class: IP65

OPTICS: 20°

WARNING
Do NOT switch using TRIAC-based (transistor, thyristor) circuits.
Damage to driver inevitable

ECO-Dashboard



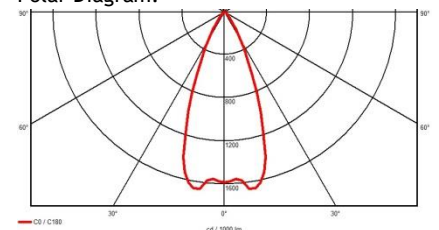
Specified lamp

IBL Gen³ LED lighting unit with CREE XLamp® CXA LEDs

Color Temperature CCT: 2 875-3 200 K
Light Output: approx. 280 lm

CRI: >= 80
L70 Lifetime: >30 000 h

Polar Diagram:



MIS 2 AWARD WINNER
NOVEMBER, 2014



Contact details

IBL Lighting GmbH
Christinenstr. 11
D-40880 Ratingen
Tel: 02102- 94 20 66 0
Fax: 02102- 94 20 66 6
web: www.ibl.eu
email: info@ibl.eu