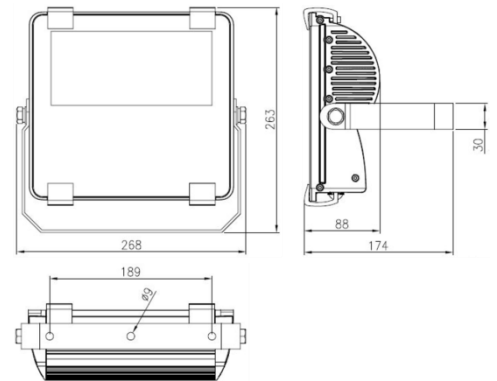


Synergy LED Flood Light 50 W / 1-10V DIM

Order Code: **850114300**



Features

- Flood light with LED light source, complete with built-in driver to suit, pre wired and ready to install
- “Ultra Robust” module, single LED’s damage doesn’t affect other unit’s current;
- Patented aluminum heat sink structure; High quality aluminum processing technique
- Ergonomic light distribution to achieve uniform illuminating effect.
- 3 years warranty.

Technical data

Dimensions:	H: 263 mm W: 268 mm D: 88 mm
Material:	Aluminium Alloy
Weight:	4 kg
Colour:	White finish

Electrical Data

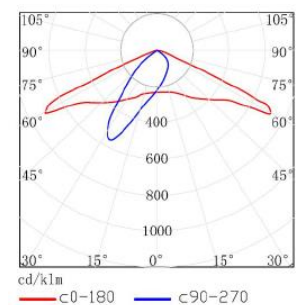
System Power	55 W
Working environment:	-40°C-45°C
Driver type:	CC
Input voltage:	90-305 V AC
Power factor:	≥0.9
Driver Protection Class	IP 65
Luminaire Protection Class	IP 65
Dimmable	Yes / 1-10 V

Manufactured to

CE
RoHS

Lighting distribution curve

Light source:	24 x PowerLED
LED Power:	50 W
Efficiency:	approx. 100 lm/W
Colour Temperature CCT:	4000 K
CRI:	Ra 70±5
LED Life time (L70):	>50,000h
Beam:	85° x 135°



Contact data

IBL Lighting GmbH
Christinenstr. 11
40880 Ratingen
Germany
Tel: (+49) 02102- 94 20 66 0
Fax: (+49) 02102- 94 20 66 6
web: www.ibl.eu
email: info@ibl.eu