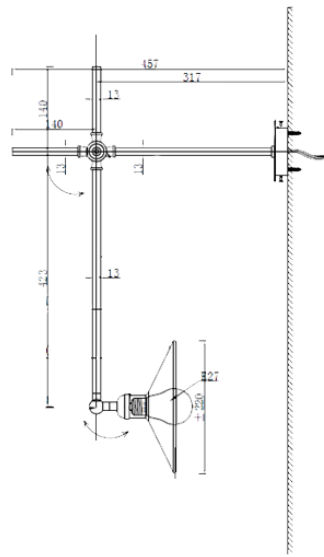


**McD Ray Design "Wall Light" L07**
**Order Code: 860753630**

**Features**

LED surface mounted Wall Light

- long life LED
- saving electricity
- without external driver
- galvanized steel mount. bracket
- IBL 3 year warranty on luminaire
- aluminium lampshade
- UV stabilized powder coated

**Technical Data**

 Dimensions:           Width 457 mm  
                               Height 423 mm  
                               Diameter 260 mm

 Material:               Aluminium  
                               and Steel

 Installation:           wall mounted  
                               ta = -30 ... 50°C

 Colour:                 black finish  
                               red shade

**Electrical Data**

Input voltage:       220-240Vac, 50/60 Hz

 Power:                 3 W / 0,05 A  
                               @230Vac

Power factor:         &gt;0,95

Losses:                &lt; 5%

Electrical safety class:     I

Protection Class:        IP20

 Connection:           flexible Cable  
                               3x1.5mm<sup>2</sup>
**Light Source**

 1 x LED Bulb E27 / 3W  
 Warm white 2700 K

Average life-time (50%) 25.000 hrs

**Contact Details**

IBL Lighting GmbH  
 Christinenstr. 11  
 40880 Ratingen  
 Germany  
 Tel: (+49) 02102- 94 20 66 0  
 Fax: (+49) 02102- 94 20 66 6  
 web: [www.ibl.eu](http://www.ibl.eu)  
 email: [info@ibl.eu](mailto:info@ibl.eu)