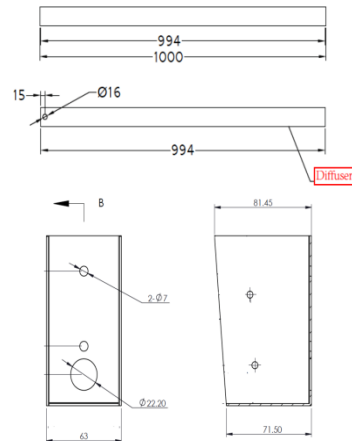


## McD Ray Design "FRY" L02

Order Code: **860283200**



### Features

LED surface mounted Wall Light

- long life LED
- saving electricity
- internal driver
- IBL 3 year warranty on luminaire
- Mounting box UV stabilized powder coated

### Technical Data

Dimensions:	Width 63 mm Height 1000 mm Depth 150 mm
Material:	Wood Steel acryl glass
Installation:	wall mounted  ta = -30 ... 50°C t: max @ t <sub>a</sub> 25 = 45°C
Colour:	Black and light wood grain

### Electrical Data

Input voltage:	220-240Vac, 50/60 Hz
Power:	10,5 W / 0,05 A @230Vac
Power factor:	>0,95
Losses:	< 5%
Transformer:	Built-in LED Driver, Short circuit, thermal & overload protected, SELV
Electrical safety class:	II
Protection Class:	IP20
Connection:	screw terminal

### Light Source

LED 10,5W, 800lm Warm white 3000 K, CRI 80
Average life-time (50%) 45.000 hrs

### Contact Details

IBL Lighting GmbH  
Christinenstr. 11  
40880 Ratingen  
Germany  
Tel: (+49) 02102- 94 20 66 0  
Fax: (+49) 02102- 94 20 66 6  
web: [www.ibl.eu](http://www.ibl.eu)  
email: [info@ibl.eu](mailto:info@ibl.eu)