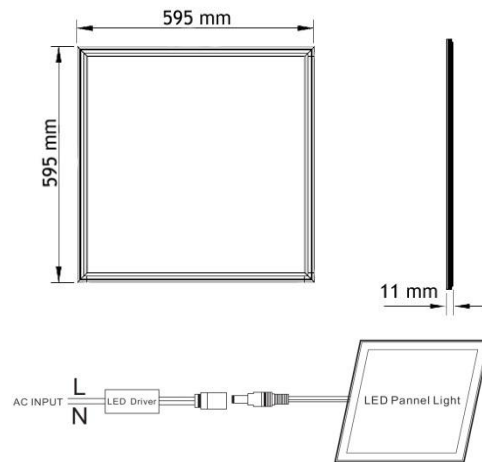


Synergy LED Panel 595x595 mm

Code: **808010410**



Features

- All sides are lined with LED's to grant optimal illumination.
- High light output at a reduced energy consumption of up to 50%
- Over 40'000 hours life expectancy
- Wide angle of deflection with even light distribution.
- No start-up delay, no flickering, no humming.
- High efficiency (90%) constant current driver with built-in overheat protection that remains stable at a wide range of input voltages.
- Independent LED circuit design prevents complete blackout in case an LED fails.
- Environmentally friendly, mercury and lead free.
- Causes no electromagnetic interference.
- No UV, no IR

Technical data

Dimensions:	595 x 595 x 11 mm
Weight:	ca. 4 kg incl. driver
Material:	aluminium and plastics
Max. surface:	85C°
Colour:	White

Electrical Data

LED DRIVER

Input voltage	100-240Vac 50/60Hz
Input current	max. 0,80A
cos φ	≥ 0,95
Output	1000mA CC, 40W
Electrical safety	Class II
Output isolation	S.E.L.V.

LUMINAIRE

Measured Lumen Output	3325 lm
Beam Angle	approx. 120°
Electrical Safety	Class III
Measured System Power	38W

LEDs

Typical Power	240 x 0,145W
Neutral White	approx. 4000K
CRI	> 80

WARNING

Do NOT switch using TRIAC-based (transistor, thyristor) circuits. Damage to driver inevitable.

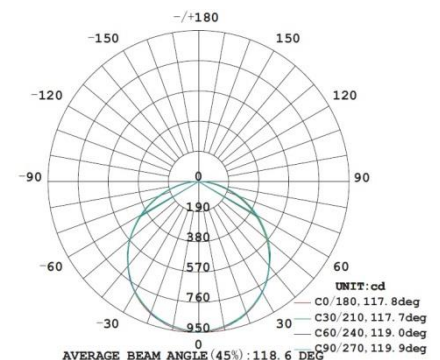
ECO-Dashboard



Photometric Data

LED Chip	Luxeon Lumileds 4014 (or equivalent standard)
Number of LED Chips	240
LEDs rated Output*)	117 lm/W

Light Distribution Curve(cd)



*) The measured overall lumen output of the finished fixture differs to the industry standard lumen rating by the chip manufacture.

Contact

IBL Lighting GmbH
 Christinenstr. 11
 D-40880 Ratingen
 Tel: +49 (0)2102- 94 20 66 0
 Fax: +49 (0)2102- 94 20 66 6
 web: www.ibl.eu
 email: info@ibl.eu