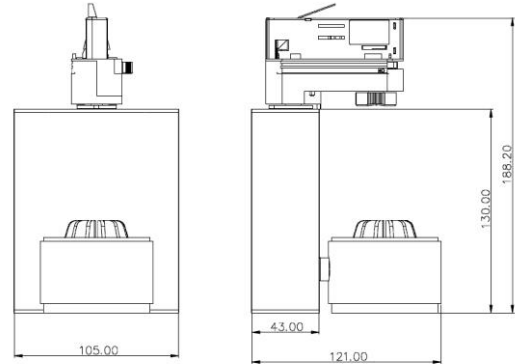


Single Track Spot 1 x 7W Gen³ LED

Code: **801713122** (white)
801723122 (black)
801793122 (silver)



Features

3-Phase Track adjustable Downlight with LED lamp, complete with SELV driver ready to install:

- Simple Track fixing
- Energy saving
- Low operating temperature
- Long lifetime LED
- Full intensity from switch on
- Driver with S.E.L.V. output
- Safe Class I luminaire
- IBL 5 Year warranty on fittings and drivers - 3 Years on IBL-LED Module

Technical data

Dimensions: Height 130 (188) mm
 Width: 121x105 mm

Weight: ca. 0,65 kg incl. driver

Material: Diacast aluminium

Max. surface: 85°C

Colours: White
 Black
 Silver

Electrical Data

LED DRIVER:

Type constant current
 Input voltage 220/240Vac 50/60Hz
 Input current max. 0,08A
 cos phi >0,5

Electrical safety Class II

Output isolation S.E.L.V.
 Output Current: 700 mA dc
 Output Voltage : max. 29 V dc

LUMINAIRE:

Electrical safety Class I

LEDs:

Power: 7W_(nom.)@700 mA
 Warm White 2875-3200K

WARNING
 Do NOT switch using TRIAC-based (transistor, thyristor) circuits.
 Damage to driver inevitable

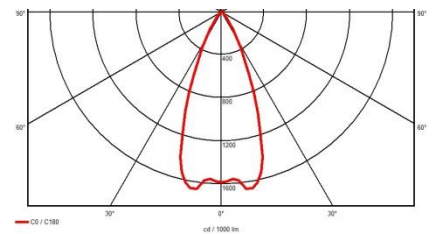
LED specification

IBL Gen³ LED lighting unit with CREE XLamp® CXA LEDs

Color Temperature CCT: 2 875-3 200 K
 Light Output: approx. 600 lm

CRI: ≥ 80
 L70 Lifetime: 30 000 h

Polar Diagram:



MIS 2 AWARD WINNER
 NOVEMBER, 20 2014



ECO-Dashboard



Contact details

IBL lighting GmbH
 Christinenstr. 11
 D-40880 Ratingen
 Tel: +49-2102- 94 20 66 0
 Fax: +49-2102- 94 20 66 6
 web: www.ibl.eu
 email: info@ibl.eu